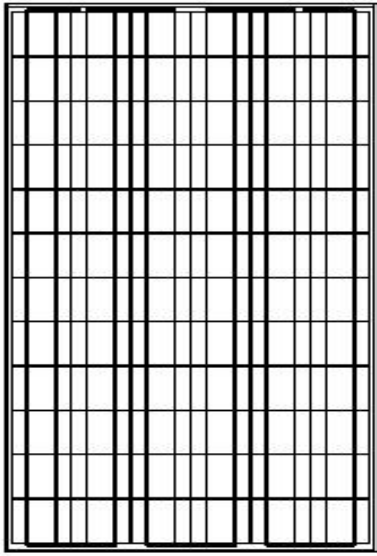


DS-A36-200 Panels Specifications



Solar cells: Crystalline silicon solar cells

Laminate: Glass /EVA / TPT (tedlar/pet/tedlar) or TPE

Front Side: High-transmission 3.2mm tempered glass

Back Side: TPT /TPE

Frame: Clear anodized aluminum frame

Output : Junction box

Module Type	Pm(Wp)±5%	Vmpp(V)	Impp(A)	Voc(V)	Isc(A)	Module size	NET(kg)
DS-A36-200	200	36.0	5.56	44.6	6.06	1330*990*45 (mm) 52.4*39.0*1.77 (inch)	15.4

Operation Temperature Range: - 40°C~85°C

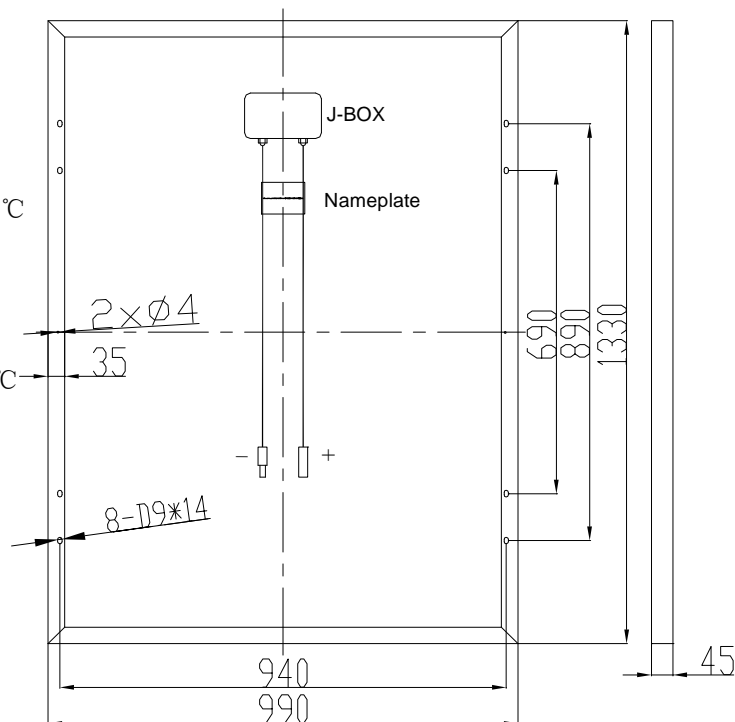
NOCT: 48°C±3°C

Temperature coefficients of Im: + 0.1 %/°C

Temperature coefficients of Vm: - 0.38 %/°C

Maximum System Voltage: DC600V

STC: 1000W/m², 25°C, AM1.5



All the data of this sheet are subjected to change without notice.